

## RESTAURANT FIRE SUPPRESSION SYSTEMS DATA SHEET

## MECHANICAL SEALING ADAPTORS

### FEATURES

- Weld-tight seal ensures structural integrity and eliminates leakage
- “Quik-Seal” version accepts threaded cut pipe or conduit
- “Compression-Seal” version is a straight-through design - eliminates cutting and threading of pipe or conduit
- Tested and listed with Underwriters Laboratories
- Solid machined steel for maximum strength and tolerance of high temperatures
- Pressure tested to 5,000 psi (34,475 kPa)
- Chrome-plated for corrosion resistance and appearance
- Available in common sizes used in installation
- Simple and inexpensive to install

### DESCRIPTION

The NFPA 96 Standard establishes minimum construction requirements for the hood and duct in commercial kitchen ventilating systems. One of the requirements states that all seams and joints shall be sealed by a liquid-tight, continuous external weld or listed mechanical devices providing a liquid-tight seal.

Ansul mechanical sealing adaptors are such a mechanical means of producing weld-like, liquid-tight seals around pipe and conduit penetrations when installing fire suppression systems in hoods and ducts.

The “Quik-Seal” adaptor accepts cut pipe or conduit with threaded ends (Figure 1). The “Compression-Seal” adaptor is a straight through design requiring no cutting and threading of pipe or conduit (Figure 2).

These adaptors provide the structural integrity and stability of a welded joint without the cost or inconvenience of providing for in-field welding. Unlike torches and tanks, Ansul mechanical sealing adaptors can be easily carried and install in minutes with standard wrenches.

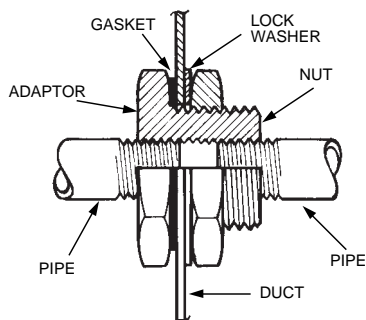


FIGURE 1

004216

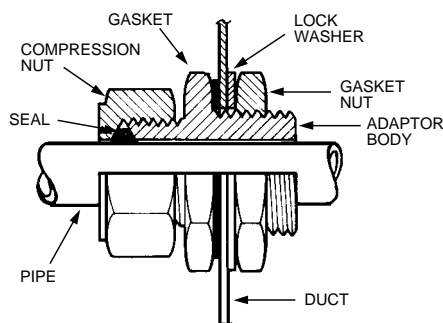


FIGURE 2

004217

### APPLICATION

Supply and detection lines with pipe adaptor shown looking down on top of hood.



### ORDERING INFORMATION

#### Description

- 1/4 in. “Quik-Seal” Adaptors (Package of 24)
- 3/8 in. “Quik-Seal” Adaptors (Package of 24)
- 1/2 in. “Quik-Seal” Adaptors (Package of 24)
- 3/4 in. “Quik-Seal” Adaptors (Package of 24)
- 1/4 in. “Compression-Seal” Pipe Adaptors (Package of 24)
- 3/8 in. “Compression-Seal” Pipe Adaptors (Package of 24)
- 1/2 in. “Compression-Seal” Pipe Adaptors (Package of 24)
- 1/2 in. “Compression-Seal” EMT Conduit Adaptors (Package of 24)

#### Part No.

- 78196
- 77285
- 77287
- 77289
- 79149
- 79151
- 79147
- 79153



“QUIK-SEAL” ADAPTORS

004233



“COMPRESSION-SEAL” ADAPTORS

004234

Surface nozzles in overhead position with adaptor.

