

# Quick Start Guide

## Single/Three Phase Vari-Green® Motor



### Vari-Green Motor Quick Start Guide

When delivered, the Vari-Green Motor is pre-programmed to run from either an on-board dial or a 0-10 VDC control signal. A 0-1.99 Volt control signal will be received as a “stand-by” command.

A run command is acknowledged, as well as a speed reference from 2-10 V.

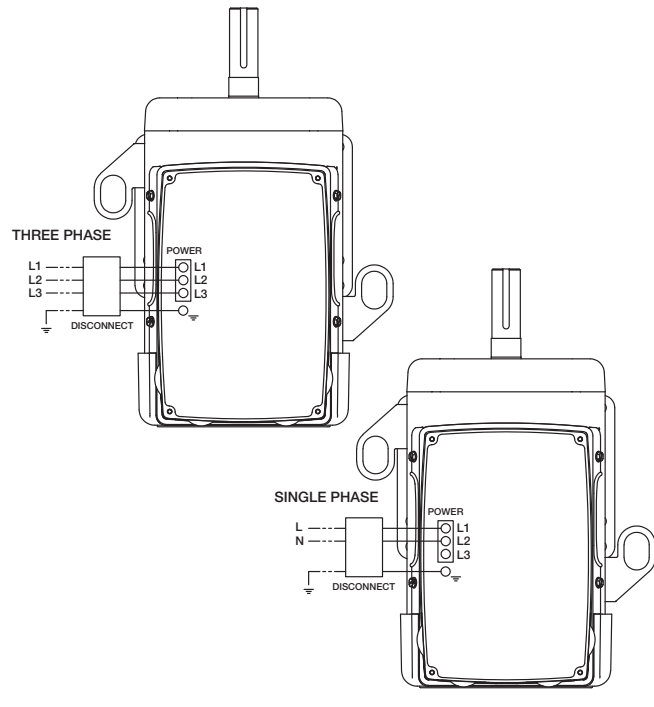
For more information about this Vari-Green Motor, please review the Installation, Operation and Maintenance Manual found by following this QR code:



[www.greenheck.com/vari-green/vari-green-motors](http://www.greenheck.com/vari-green/vari-green-motors)

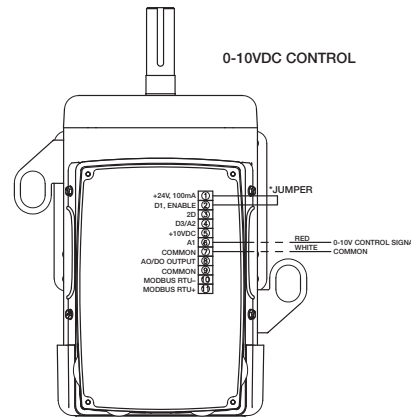
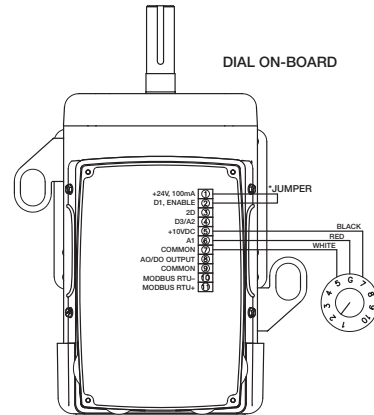
### Step 1

Connect the power supply. Verify Input Voltage and phase matches nameplate of motor/drive.



### Step 2

Connect control wiring to the control terminal.

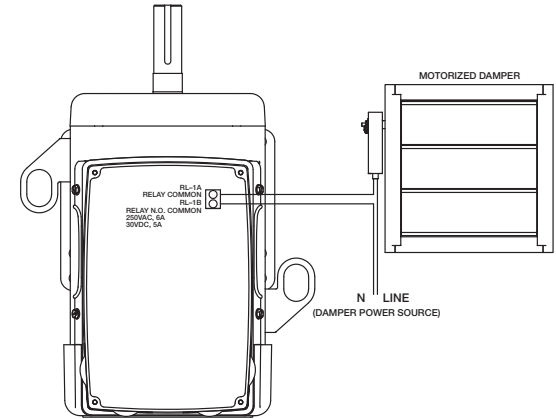


**NOTE:** Factory default settings:

1. Terminal 2 is set as an ENABLE command. From the factory there is a jumper from terminal 1 to 2. A START/STOP switch can be used between these terminals to ENABLE/DISABLE the drive.
2. When this Vari-Green Motor is ordered in a 0-10 VDC Control configuration, the motor is shipped with a jumper between terminal 5 and 6. This will run the motor at full speed when power is connected. Remove this jumper before landing 0-10 VDC control wires.

### Step 3

Install motorized backdraft damper wiring, if applicable. The relay RL-1 is set from the factory to close when a run command is given.



### Step 4



Apply power to unit. If a control signal is present, the RL-1 relay will close and the motor will ramp up to the referenced speed. If a jumper is installed between terminals 5 and 6, the motor will go to 100%.

### Step 5

Balance the fan. Whether changing the position of the on-board dial or adjusting the control voltage, the fans speed can be set from the minimum to the motor's factory programmed maximum speed. Re-apply the motor cover.



# Quick Start Guide

## Single/Three Phase Vari-Green® Motor

### Step 6

Review the Installation, Operation and Maintenance Manual for the fan for any specific installation questions. The manual is shipped with the fan, and can also be found at [www.greenheck.com](http://www.greenheck.com) or by scanning the QR code located within the drive compartment.

Electrical Data	
Supply Voltage Range	110 Volt Units, 99-126 V
	230 Volt Units, 180-264 V
	400 Volt Units, 342-528 V
Short Circuit Capacity	5kA Without Fused Disconnect
	100kA With Fused Disconnect
Control Terminal Wiring	
Maximum Size	0.05-0.5mm <sup>2</sup> / 20-26 AWG
RL-1 Relay	
Relay N.O. Contact	250VAC, 6A/30VDC, 5A
Motor Enclosure	
Totally Enclosed Fan Cooled, IP54	



### WARNING

- Do not remove the drive cover for wiring or periodic inspections while power is applied or the unit is in operation. Electric shock may occur from the exposed terminals.
- Wait at least 1 minute after disconnecting the input power before performing any wiring tasks and/or periodic inspections of the drive.
- Operate the Vari-Green motor and control devices with dry hands.
- Do not use this device if power or motor cable is damaged.
- As this is a permanent magnet motor, this motor will generate voltage when the shaft is rotated. Shaft must be locked out for safe servicing.

### CAUTION

- Disconnect the input power if the Vari-Green motor has been damaged. Failure to do so may result in fire and/or secondary damage or accidents.
- Do not touch the Vari-Green motor immediately after shutting down or disconnecting it. It can remain hot for a few minutes. Bodily injuries such as skin-burn or damage may occur.
- Do not apply power to a damaged Vari-Green motor or to a Vari-Green motor that is missing parts.
- Do not allow lint, paper, wood chips, dust, metallic chips or other foreign material into the drive as it may cause fire or accident.



### Vari-Green Controls



Vari-Green Controls all use a 0-10 VDC control signal to provide a speed reference to Vari-Green Motors. See below for typical Vari-Green wiring. Reference the individual controls Installation, Operation and Maintenance Manual for programming, wiring and troubleshooting of that control.

